



# VHF AUTOMATIC FILTER

## Single Cavity, 118 ÷ 156 MHz

T05110438

POLOMARCONI.IT

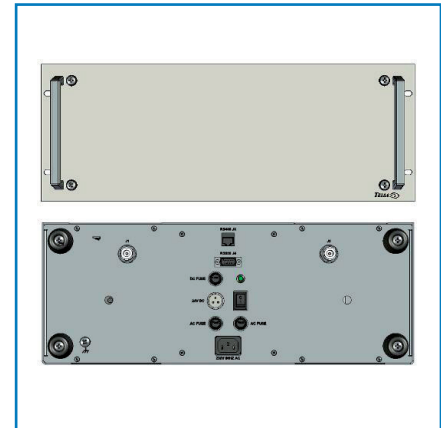


POLOMARCONI offers a very wide range of wireless products. Our products can be tailored according to the customer's need.

ATC

### Electrical Specifications

Frequency Band (MHz)	118 ÷ 156	
Impedance ( $\Omega$ )	50	
Channel Spacing (KHz)	ICAO8.33	8.33
	ICAO25	25
Return Loss (dB)	$\geq 14$	
Max Continuous Power (W)	200	
Insertion Loss (dB)	$\leq 1.3$	
Selectivity (dB)	$\Delta f \geq \pm 0.5\%$	$\geq 11.5$
	$\Delta f \geq \pm 1\%$	$\geq 17.5$
Remote Control Interface with Integrated Bus Termination	RS 485	
Maintenance Interface	RS 232	
Current Consumption (mA) @ 230 VAC	stand-by	$\leq 165$
	on tuning	$\leq 230$
Current Consumption (mA) @ 24 VDC	stand-by	$\leq 75$
	on tuning	$\leq 530$
Thermal Stability (ppm/ $^{\circ}\text{C}$ )	3	
Power Supply	main (VAC)	230 ( $\pm 20\%$ )
	stand-by (VDC)	21 ÷ 31
Electrical Safety	IEC 60950-1 EN 60950-1	
EMC	ETSI EN	301
		489-1
		489-22



### Mechanical Specifications

Maximum tuning time between $f_{\min}$ ÷ $f_{\max}$ (sec)	22
Emergency Mechanical Tuning	by screwdriver
RF Connector	N f
Dimensions	4U × 19" × 600mm
Weight (Kg)	< 12
Panel and Cavity Colour	RAL7035
Operating Environment	ETS 300 019-1-2
	ETS 300 019-2-3
	Class 3.1E
Extended Temperature Range ( $^{\circ}\text{C}$ )	-10 ÷ +55
Transportation and Handling	ETS 300 019-2-2 Class 2.2