



VHF OMNIDIRECTIONAL ANTENNA, 1 INPUT, 2 dBi GAIN 118 ÷ 137 MHz

T01110402

POLOMARCONI.IT



POLOMARCONI offers a very wide range of wireless products.
Our products can be tailored according to the customer's need.

ATC

Electrical Specifications

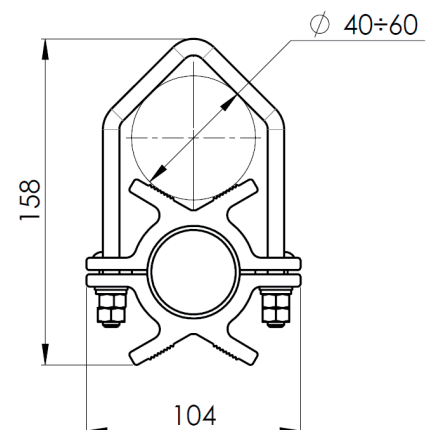
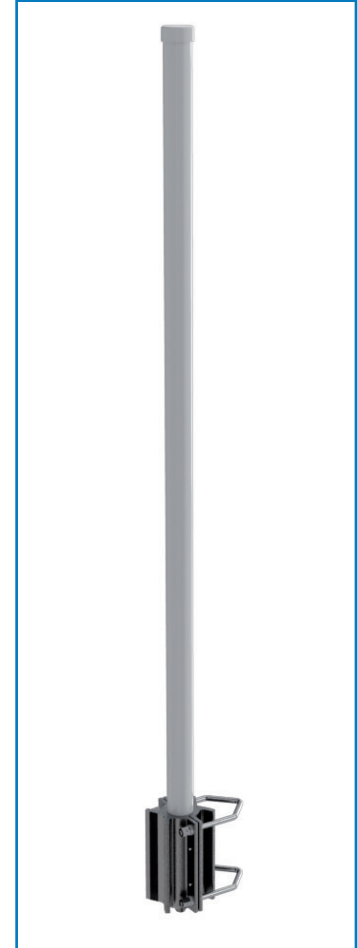
Frequency Band (MHz)	118 ÷ 137
Impedance (Ω)	50
VSWR	$\leq 1.5:1$
Polarization	linear vertical
Gain (dBi)	2
Radiation Pattern Horizontal Plane	omni ± 1 dB
Vertical Plane (degree)	75 ± 5
Continuous Max Power (W)	< 200
RF Connector	Nf
Lightning Protection	DC grounded

Environmental Specifications

Op. Temp. Range ($^{\circ}\text{C}$):	- 40 ÷ +70
Storage Temp. Range ($^{\circ}\text{C}$):	- 50 ÷ +90

Mechanical Specifications

Dimensions (mm)	
Length	1350
Radome diameter	$\varnothing 40$
Weight (kg)	3
Wind load @ 150 km/h (N)	50
Radome	Fiberglass
Color	RAL 7035 (grey)
Mounting	on pole $\varnothing 40\div 60$ mm



Base Flange Mounting



Made in Italy. We reserve the right to modify these data without any notice.