



VHF Omnidirectional Antenna

108 ÷ 156 MHz, 2 dBi Gain

T01110407

POLOMARCONI.IT



POLOMARCONI offers a very wide range of wireless products. Our products can be tailored according to the customer's need.

ATC

Electrical Specifications

Frequency Band (MHz)	108 ÷ 156
Impedance (Ω)	50
VSWR	≤ 2
Polarization	linear vertical
Gain (dBi)	2
Pattern (degree)	
Horizontal Plane	omni ± 0.5 dB
Vertical Plane	80 ± 5 dB
Continuous Max Power (W)	500
Op. Temp. Range ($^{\circ}\text{C}$)	- 40 ÷ 70
Lightning Protection	DC grounded

Mechanical Specifications

Connector	Nf
Dimensions (mm)	
Length	1300
Radome diameter	$\varnothing 137.5$
Colour	RAL 7035 (grey)
Weight (Kg)	7
Radome	Fiberglass
Mounting	by bracket
T01110401	3 x M8 screws

DESCRIPTION:

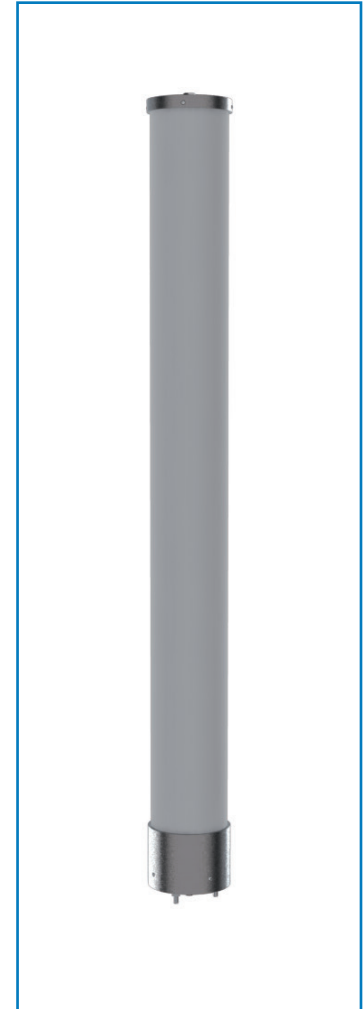
The VHF coaxial dipole is a vertically polarized omnidirectional antenna.

SPECIAL FEATURES:

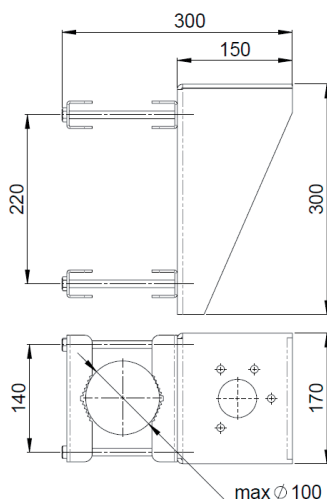
- Broadband: 108 ÷ 156 MHz
- Nr. input: 1
- Omnidirectional radiation
- High power: 500 W
- Protected against lightning
- Very rugged construction
- Wind resistance up to 200 km/h

Environmental Specifications

Ambient Humidity	$\leq 97\%$
Continuous wind speed (Km/h)	180
Wind strikes [3 sec long] (Km/h)	220
Wind Load (N) @ 160 km/h	137
Rain intensity (50mm/h)	50
	with strikes of 130 Km/h
Ice load	30 mm of ice with continuous wind and wind strikes
Op. altitude (m)	≤ 3000
Op. in presence of corrosive atmosphere	
Op. in 5 mg/m ³ of sand presence	
Op. in 5 mg/m ³ of dust presence	



BRACKET DIMENSIONS (mm)



Made in Italy. We reserve the right to modify these data without any notice.